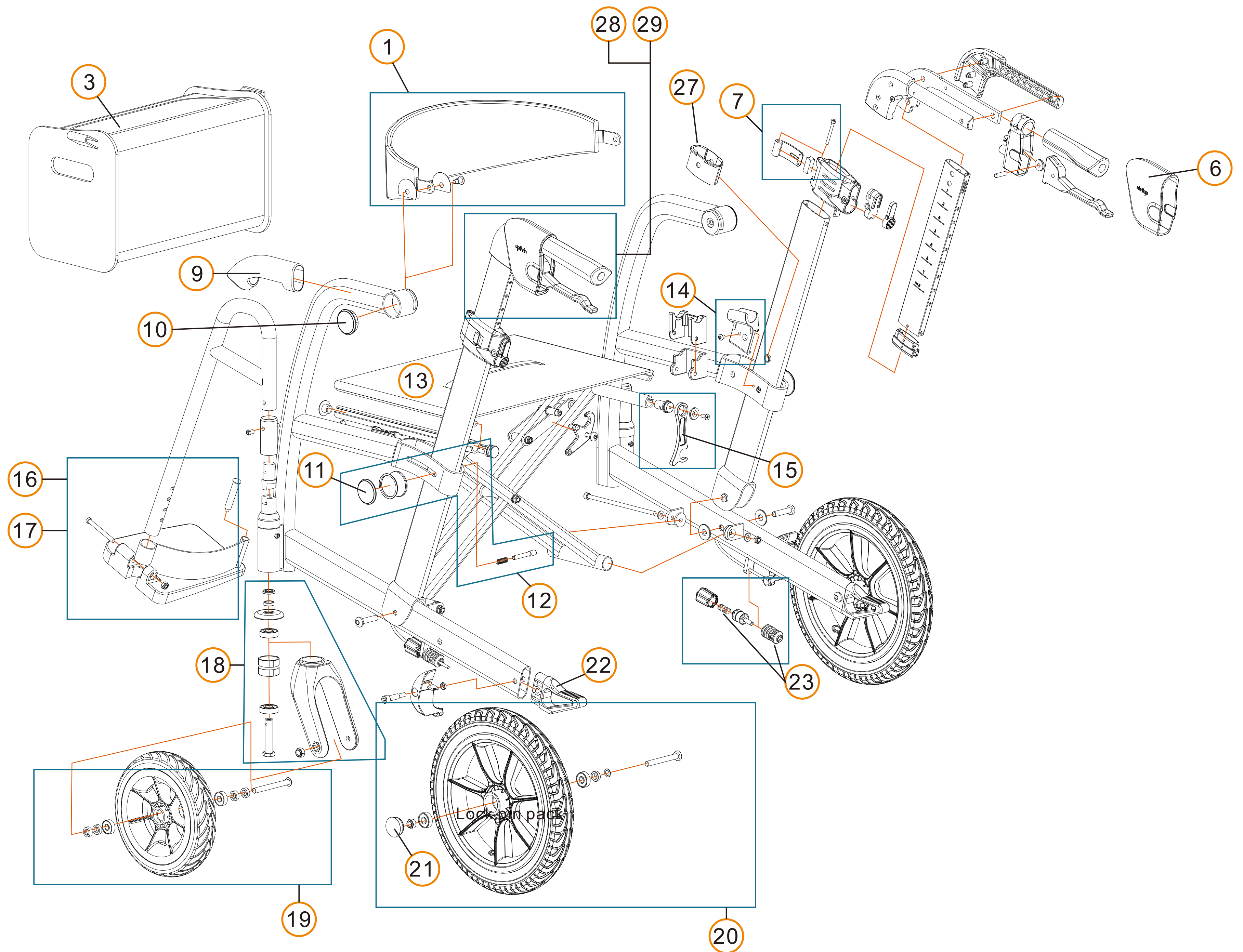


Exploded Diagram

Glide 2 in 1 Rollator and Transport Chair



No.	Item	No.	Item	No.	Item
1	Backrest set	12	Lock pin pack	23	Brake spring and cover
2	Cane holder	13	Seat cushion set	24	Outer carton for Glide - Regular
3	Underseat storage bag	14	Seat locking bracket/Fastener (2 pcs)	25	Outer carton for Glide - Small
4	Cup holder	15	Locking hook	26	Umbrella & Holding Frame
5	Safety belt	16	Footrest (L)	27	Adjustable handle washer
6	Brake house cover	17	Footrest (R)	28	Handle with brake cable (L)
7	Handle-tightening lever pack	18	Front fork pack	29	Handle with brake cable (R)
8	Brake cable	19	Front wheel pack		
9	Leather armrest sleeve (with sticker)	20	Rear wheel pack		
10	Top decorative cap	21	Rubber cover for wheel center cap		
11	Decorative cap for lock pin	22	Tipper		